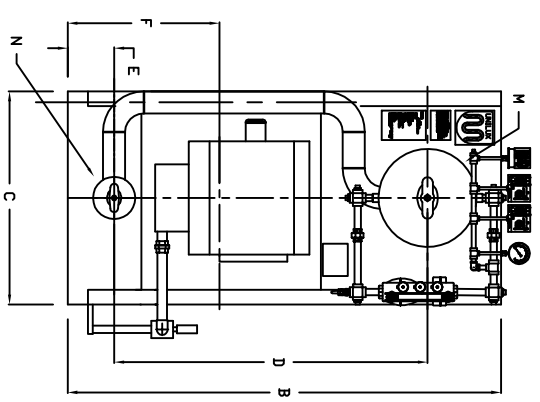
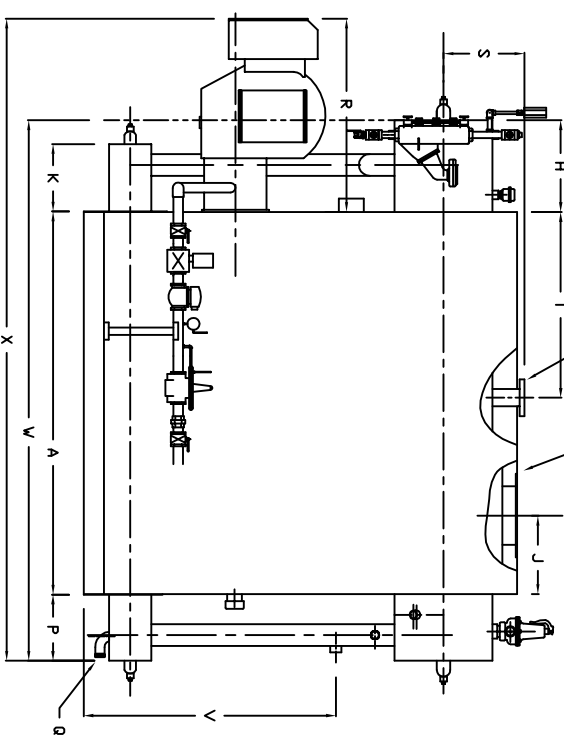


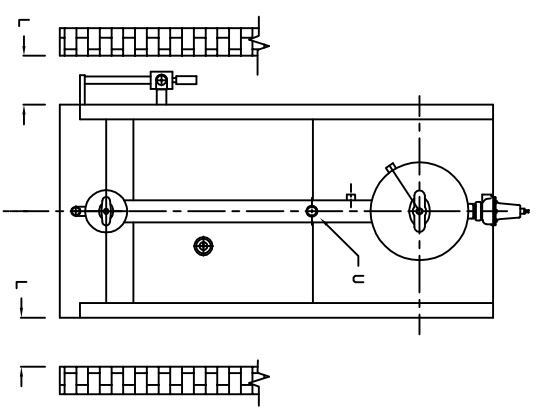
PLAN



FRONT VIEW




SIDE VIEW



REAR VIEW

BOILER MODEL - ZF350HS		INCHES	METRIC
A	LENGTH OF BASE	78 1/4	1988
A1	LENGTH OF SUPPORT FROM BASE	-	-
B	HEIGHT	88 9/16	2249
C	WIDTH OF BASE	43 1/2	1105
D	CTR. LOWER DRUM TO CTR. UPPER DRUM	64	1625
E	CENTER OF LOWER DRUM TO BOTTOM	9 9/16	243
F	CENTER OF BURNER OPENING TO BOTTOM	29 3/8	746
G	OUTLET FLANGE CLASS 300	3	76
H	DRUM CLEARANCE FROM TOP, FRONT	19 7/8	505
J	CENTER OF FLUE GAS OUTLET TO REAR	16	406
K	DRUM CLEARANCE FROM BASE, FRONT	14 1/4	362
L	TUBE REMOVAL CLEARANCE FROM BASE	28	680
M	UPPER DRUM, OD, NPS	20	508
N	LOWER DRUM, OD, NPS	8 5/8	219
O	FLUE GAS OUTLET, I.D.	12	305
P	DRUM CLEARANCE FROM BASE, REAR	14	356
Q	BLOWDOWN, NPT	1 1/2	38
R	BURNER DIMENSION	39 1/2	1003
S	CENTER OF TOP DRUM TO TOP OF OUTLET	16 1/2	419
T	CENTER OF OUTLET TO ENCLOSURE FRONT	38 1/16	967
U	INLET, 3000 PSI ASA HALF COUPLING	1 1/4	32
V	FEDWATER INLET FROM BASE	51 9/16	1310
W	OVERALL BOILER LENGTH	112 1/8	2848
X	OVERALL BOILER LENGTH W/ BURNER	131 3/4	3346

NOTE: DIMENSIONS SUBJECT TO CHANGE WITHOUT NOTICE  
CONSULT FACTORY FOR CERTIFIED DIMENSIONS.


**UNILUX ADVANCED MFG., LLC**  
 30 COMMERCE PARK DRIVE  
 NISKAYUNA, NY 12309  
 Ph: (518) 344-7490 Fax: (518) 344-7495

PROJECT: \_\_\_\_\_  
 LOCATION: ZF 350HS  
 Model Size: ZF 350HS  
 BURNER: POWER FLAME  
 ELECTRIC: \_\_\_\_\_  
 SUPPLY PSI: \_\_\_\_\_  
 Drawn By: RIZ RACAZA  
 Checked By: DAVID RAMSON  
 Drawing No: Q800000  
 Date: 05/26/09  
 Scale: NTS  
 File No.: J800000  
 REV.: 0