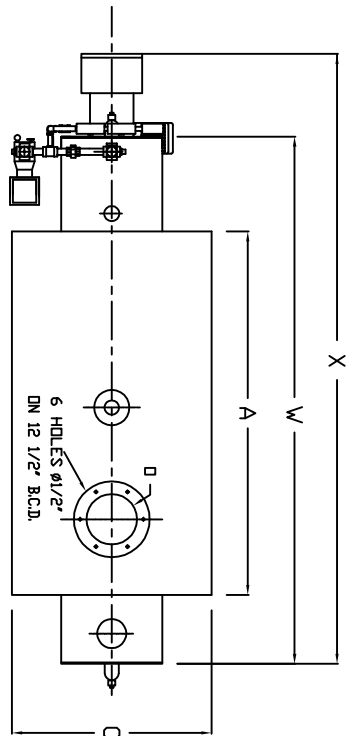
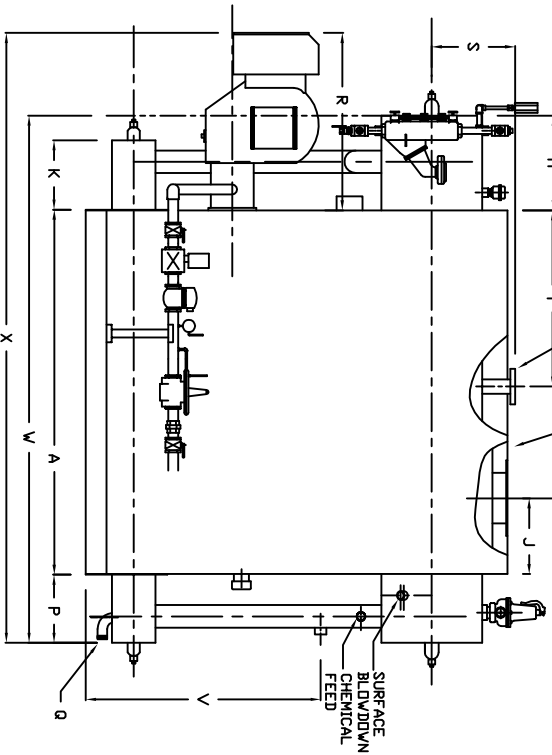


FRONT VIEW

	BOILER MODEL - ZF250HS	INCHES	METRIC
A	LENGTH OF BASE	72 1/4	1835
A1	LENGTH OF SUPPORT FROM BASE	-	-
B	HEIGHT	83 9/16	2122
C	WIDTH OF BASE	39 1/2	1003
D	CTR. LOWER DRUM TO CTR. UPPER DRUM	59	1499
E	CENTER OF LOWER DRUM TO BOTTOM	9 9/16	243
F	CENTER OF BURNER OPENING TO BOTTOM	27 7/8	708
G	OUTLET FLANGE CLASS 300	2 1/2	64
H	DRUM CLEARANCE FROM TOP, FRONT	19 1/2	495
I	CENTER OF FLUE GAS OUTLET TO REAR	15	381
J	DRUM CLEARANCE FROM BASE, FRONT	14 1/4	362
K	TUBE REMOVAL CLEARANCE FROM BASE	22	559
L	UPPER DRUM, OD, NPS	20	508
M	LOWER DRUM, OD, NPS	8 5/8	219
N	FLUE GAS OUTLET, ID.	10	254
P	DRUM CLEARANCE FROM BASE, REAR	14	356
Q	BLOWDOWN, NPT	1 1/2	38
R	BURNER DIMENSION	35 1/8	892
S	CENTER OF TOP DRUM TO TOP OF OUTLET	16 1/2	419
T	CENTER OF OUTLET TO ENCLOSURE FRONT	35 1/16	891
U	INLET, 3000 PSI ASA HALF COUPLING	1 1/4	32
V	FEEDWATER INLET FROM BASE	46 9/16	1183
W	OVERALL BOILER LENGTH	105 3/4	2686
X	OVERALL BOILER LENGTH W/ BURNER	121 3/8	3083

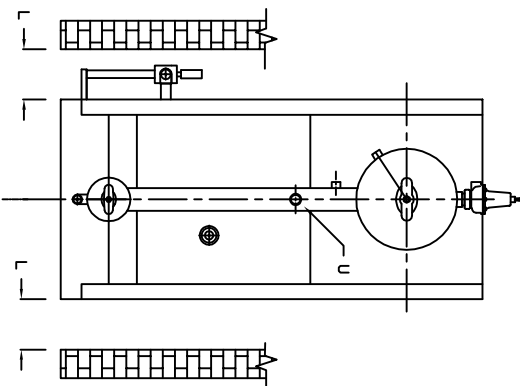


PLAN



SIDE VIEW

NOTE: DIMENSIONS SUBJECT TO CHANGE WITHOUT NOTICE  
CONSULT FACTORY FOR CERTIFIED DIMENSIONS.



REAR VIEW

**UNILUX ADVANCED MFG., LLC.**  
30 COMMERCE PARK DRIVE  
MISKATONNA, NY 12509  
PH: (518) 344-7490 FAX: (518) 344-7495

THIS DRAWING IS THE PROPERTY OF UNILUX ADVANCED MFG., LLC. ALL RIGHTS RESERVED. NO REPRODUCTION OR TRANSMISSION OF THIS DRAWING IS PERMITTED WITHOUT WRITTEN PERMISSION FROM UNILUX ADVANCED MFG., LLC.

PROJECT: -

LOCATION: -

Model Sizes: ZF 250HS

BURNER: POWER FLAME

ELECTRIC: -

SUPPLY PSI: -

Drawn By: RIZA RACKCZA

Checked By: DAVID RAMSON

Drawing No.: 0800000

Date: 05/06/09

Scale: NTS

REV: 1 0