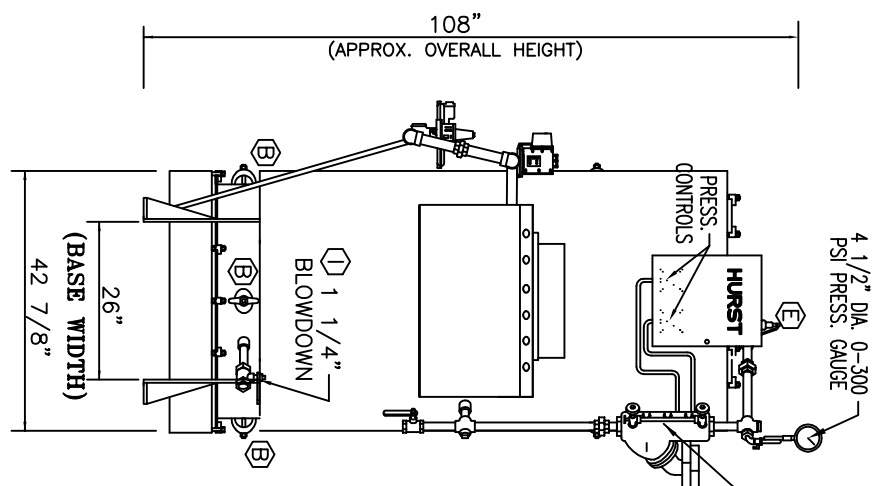
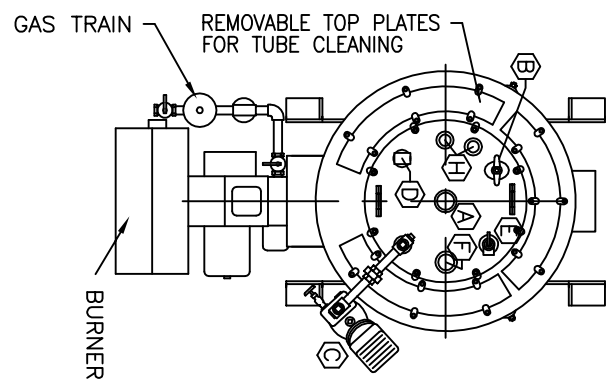


APPROX. OVERALL LENGTH w/ BURNER
LEFT SIDE VIEW



FRONT VIEW



TOP VIEW

CAPACITIES-OUTPUT		CONNECTION SIZES	
HORSEPOWER	— 50	A	2 1/2" STEAM OUTLET
LBS./HR. STEAM	— 1725	B	3" X 4" HANDHOLE
KG./HR. STEAM	— 782	C	LOW WATER CUT-OFF & PUMP CONTROL
BTU/HR. X 1000	— 1674	D	SECOND LOW WATER CUT-OFF PROBE
KCAL/HR. X 1000	— 422	E	SAFETY VALVE, 1 1/4" OUTLET
INPUT REQUIRED		F	1 1/2" SPARE
BTU/HR. X 1000	— 2092	G	1" FEEDWATER LINE
KCAL/HR. X 1000	— 527	H	1" SPARE
		I	1 1/4" BLOWDOWN

R	BY:	DATE:	CHK'D.	REASON FOR CHANGE

HURST BOILER & WELDING CO., INC.
50 HP VIX VERTICAL IMMERSSED TUBE
150 PSI DESIGN PRESSURE

SCALE: DWN. BY: DATE: CHK'D. BY: DRAWING NO.:
32 JGF 9/9/11 JWT VIX-50-150

THIS DRAWING IS THE PROPERTY OF HURST BOILER AND WELDING CO., INC. AND MAY NOT BE COPIED OR REPRODUCED IN ANY WAY UNLESS AUTHORIZED IN WRITING BY HURST BOILER AND WELDING CO., INC. AND MUST BE RETURNED UPON REQUEST