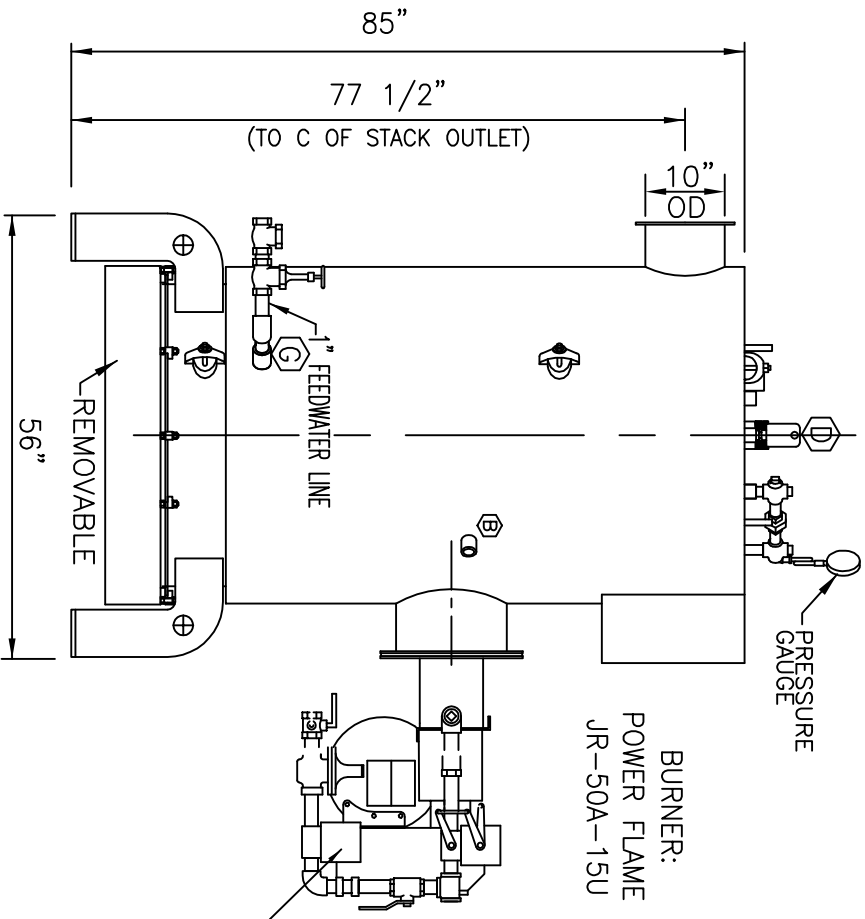
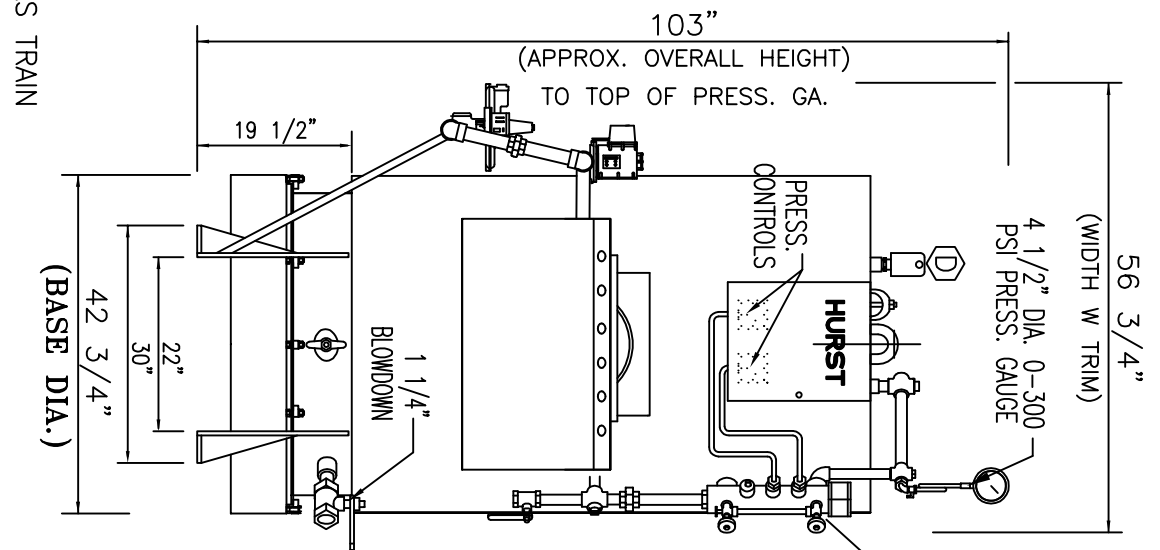


(APPROX. OVERALL WIDTH)  
TOP VIEW



LEFT SIDE VIEW



FRONT VIEW

CAPACITIES-OUTPUT	
HORSEPOWER	— 50
LBS./HR. STEAM	— 1380
KG./HR. STEAM	— 626
BTU/HR. X 1000	— 1339
KCAL/HR. X 1000	— 337
INPUT REQUIRED	
BTU/HR. X 1000	— 1674
KCAL/HR. X 1000	— 422
HTG. SURFACE —109. SQ.FT.	
RADIANT — 27. SQ.FT.	
FURN. VOL'M. — 12. CU.FT.	
CONNECTION SIZES	
A	3" FLG. STEAM OUTLET
B	1" SPARE
C	PRIM. LOW WATER CUT-OFF
D	1" FOR PROBE TYPE 2nd
E	LOW WATER CUT-OFF
F	SAFETY VALVE, 1" OUTLET (1 1/4" BOILER TAPPING)
G	1 1/4" BLOWDOWN VALVE
H	2" FEEDWATER LINE
I	1 1/4" SPARE
WATER CAP. FLOODED - 86 GAL.	

R BY: DATE: (MKL) REASON FOR CHANGE  
 THIS DRAWING IS THE PROPERTY OF HURST BOILER AND WELDING CO., INC. AND MAY NOT BE COPIED OR REPRODUCED IN ANY WAY UNLESS AUTHORIZED IN WRITING BY HURST BOILER AND WELDING CO., INC. AND MUST BE RETURNED UPON REQUEST

HURST BOILER & WELDING CO., INC.  
 40 HP VIX VERTICLE IMMERSIED TUBES  
 150 PSI DESIGN PRESSURE  
 SCALE: DWN. BY: DATE: CHK'D. BY: DRAWING NO.:  
 NTS 24 JGF 2/24/09 DWN VT305