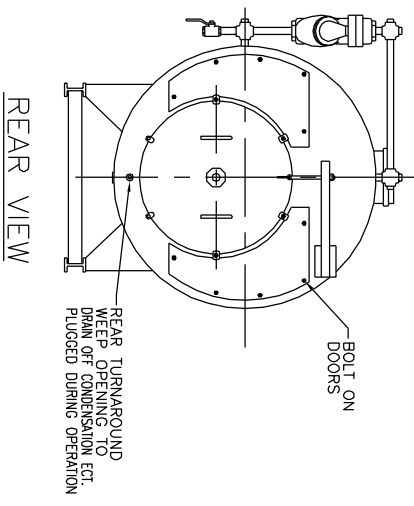


FRONT VIEW

RIGHT SIDE VIEW



REAR VIEW

BOILER SPECIFICATION CHART

BUILT TO ASME CODE SECTION 1 FOR:	150 PSI	REASON FOR CHANGE	
HEATING SURFACE	250 SQ. FT.	WATER CAPACITY (OPERATING)	324 GALS.
FURNACE OUTSIDE DIA.	16 INCHES	WATER CAPACITY (FLOODED)	382 GALS.
FURN. VOL.	(FURN. & TURNAROUND) 11.8 CU. FT.	SHIPPING WEIGHT	4700 LBS.
		R BY: DATE: (CHK'D)	
		THIS DRAWING IS THE PROPERTY OF HURST BOILER AND WELDING CO., INC. AND MAY NOT BE COPIED OR REPRODUCED IN ANY WAY UNLESS AUTHORIZED IN WRITING BY HURST BOILER AND WELDING CO., INC. AND MUST BE RETURNED UPON REQUEST	
		SCALE:	DN. BY:
		NTS 24	JGF
		DATE:	CHK'D. BY:
		4/14/08	JHO
		DRAWING NO.:	0850263
			R

SP THERMAL

HURST BOILER & WELDING CO., INC.
 SERIES 500 - 4 PASS WETBACK SCOTCH BOILER
 50 HP - 150 PSI STEAM