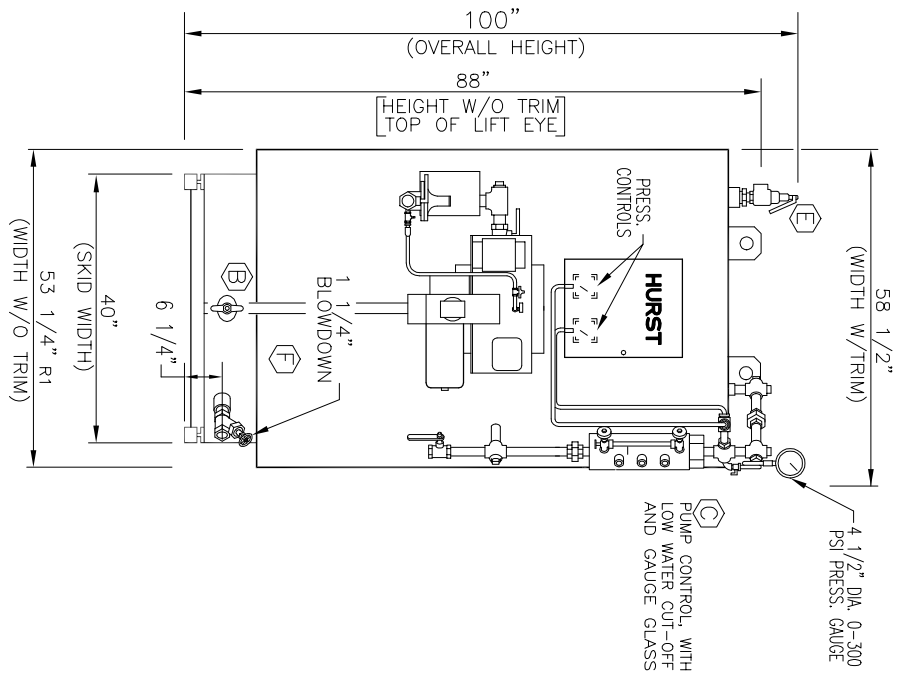
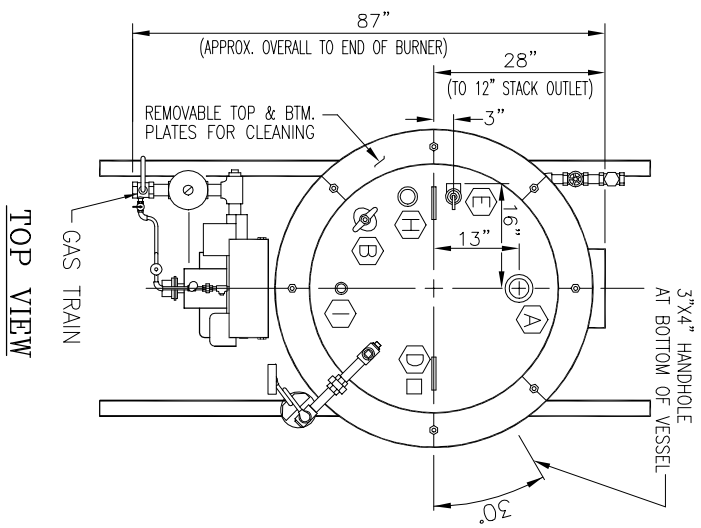


LEFT SIDE VIEW



FRONT VIEW



TOP VIEW

CAPACITIES-OUTPUT		CONNECTION SIZES	
HORSEPOWER	— 40	A	2" STEAM OUTLET
LBS./HR. STEAM	— 1380	B	3" X 4" HANDHOLE
KG./HR. STEAM	— 626	C	LOW WATER CUT-OFF & PUMP CONTROL
BTU/HR. X 1000	— 1339	D	1" FOR PROBE TYPE 2nd
KCAL/HR. X 1000	— 337	E	LOW WATER CUT-OFF
INPUT REQUIRED		F	SAFETY VALVE, 1" OUTLET
BTU/HR. X 1000	— 1674	G	1" FEEDWATER LINE
KCAL/HR. X 1000	— 422	H	2" SPARE
		I	1" SPARE

REASON FOR CHANGE	
R	BY: DATE: CHK'D:

HURST BOILER & WELDING CO., INC.
 P.O. DRAWER 529, HIGHWAY 319 S., COOLIDGE, GA. 31738
 PHONE: 912-346-3545 FAX: 912-346-3874

40 HP - 4 PASS VERTICAL TUBELESS BOILER
 150 PSI DESIGN PRESSURE

SCALE: DWG. BY: DATE: CHK'D. BY: DRAWING NO.: R
 24 JGF 2-19-00 DM 4VT-40-150

THIS DRAWING IS THE PROPERTY OF HURST BOILER AND WELDING CO., INC. AND MAY NOT BE COPIED OR REPRODUCED IN ANY WAY UNLESS AUTHORIZED IN WRITING BY HURST BOILER AND WELDING CO., INC. AND MUST BE RETURNED UPON REQUEST