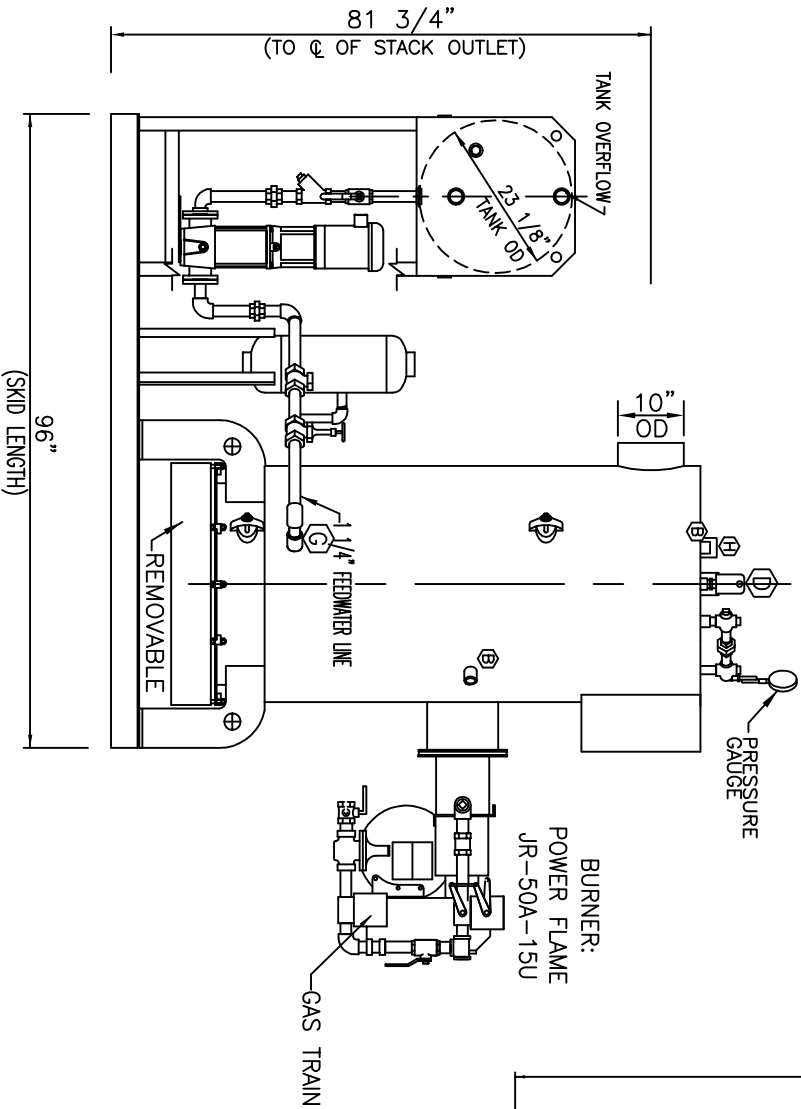
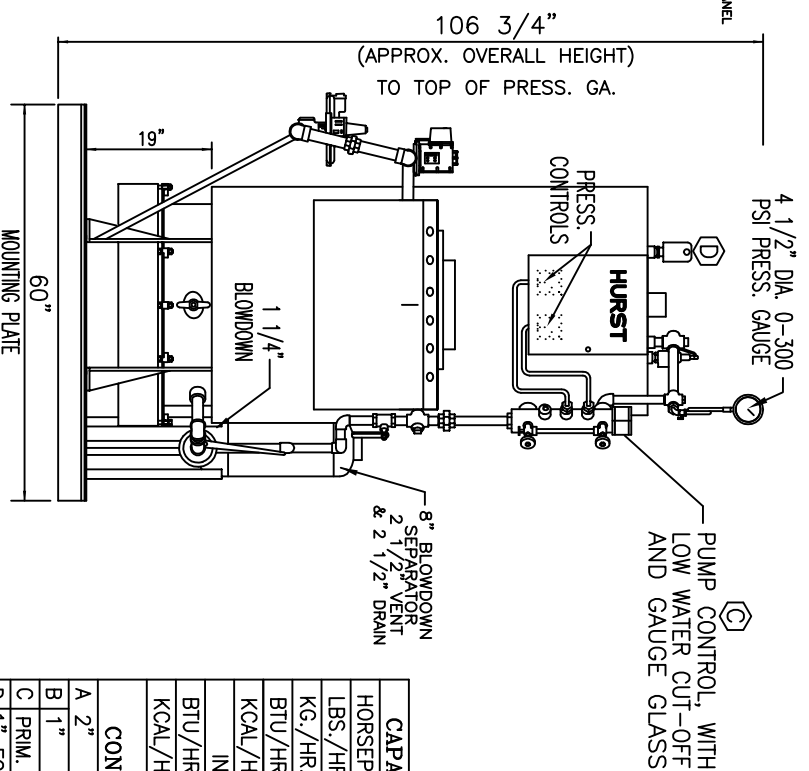


APPROX. OVERALL LGTH. W/PIPING  
127"  
**TOP VIEW**



96"  
(SKID LENGTH)  
**LEFT SIDE VIEW**



60"  
**FRONT VIEW**

4 1/2" DIA. 0-300  
PSI PRESS. GAUGE

PUMP CONTROL, WITH  
LOW WATER CUT-OFF  
AND GAUGE GLASS

HURST  
PRESS. CONTROLS

8" BLOWDOWN  
SEPARATOR  
2 1/2" VENT  
& 2 1/2" DRAIN

1 1/4" BLOWDOWN

19"

|                          |                               |
|--------------------------|-------------------------------|
| <b>CAPACITIES-OUTPUT</b> |                               |
| HORSEPOWER               | - 40                          |
| LBS./HR. STEAM           | - 1380                        |
| KG./HR. STEAM            | - 626                         |
| BTU/HR. X 1000           | - 1339                        |
| KCAL/HR. X 1000          | - 337                         |
| <b>INPUT REQUIRED</b>    |                               |
| BTU/HR. X 1000           | - 1674                        |
| KCAL/HR. X 1000          | - 422                         |
| <b>CONNECTION SIZES</b>  |                               |
| A 2"                     | STEAM OUTLET                  |
| B 1"                     | SPARE                         |
| C                        | PRIM. LOW WATER CUT-OFF       |
| D 1"                     | FOR PROBE TYPE 2nd            |
|                          | LOW WATER CUT-OFF             |
| E                        | SAFETY VALVE, 1" OUTLET       |
| F                        | (1 1/4" BOILER TAPPING)       |
| G                        | 1 1/4" BLOWDOWN VALVE         |
| H                        | 1 1/4" FEEDWATER LINE         |
| H 2"                     | SPARE                         |
| I                        | 1 1/4" SPARE                  |
|                          | WATER CAP. FLOODED - 141 GAL. |
|                          | SHIPPING WEIGHT 4400 LBS.     |

R | BY: | DATE: | CHKD: | REASON FOR CHANGE

THIS DRAWING IS THE PROPERTY OF HURST BOILER AND WELDING CO., INC. AND MAY NOT BE COPIED OR REPRODUCED IN ANY WAY UNLESS AUTHORIZED IN WRITING BY HURST BOILER AND WELDING CO., INC. AND MUST BE RETURNED UPON REQUEST

HURST BOILER & WELDING CO., INC.  
40 HP VIX VERTICLE  
IMMERSED TUBES  
w/60 GAL. FEEDWATER SYSTEM  
& 14" DIA. x 34" BLOWDOWN SEPARATOR  
150 PSI DESIGN PRESSURE

SCALE: DWN. BY: | DATE: | CHK'D. BY: | DRAWING NO.: |  
NTS 24 | JGF | 11.28.12 | RB | WK--40-150RB