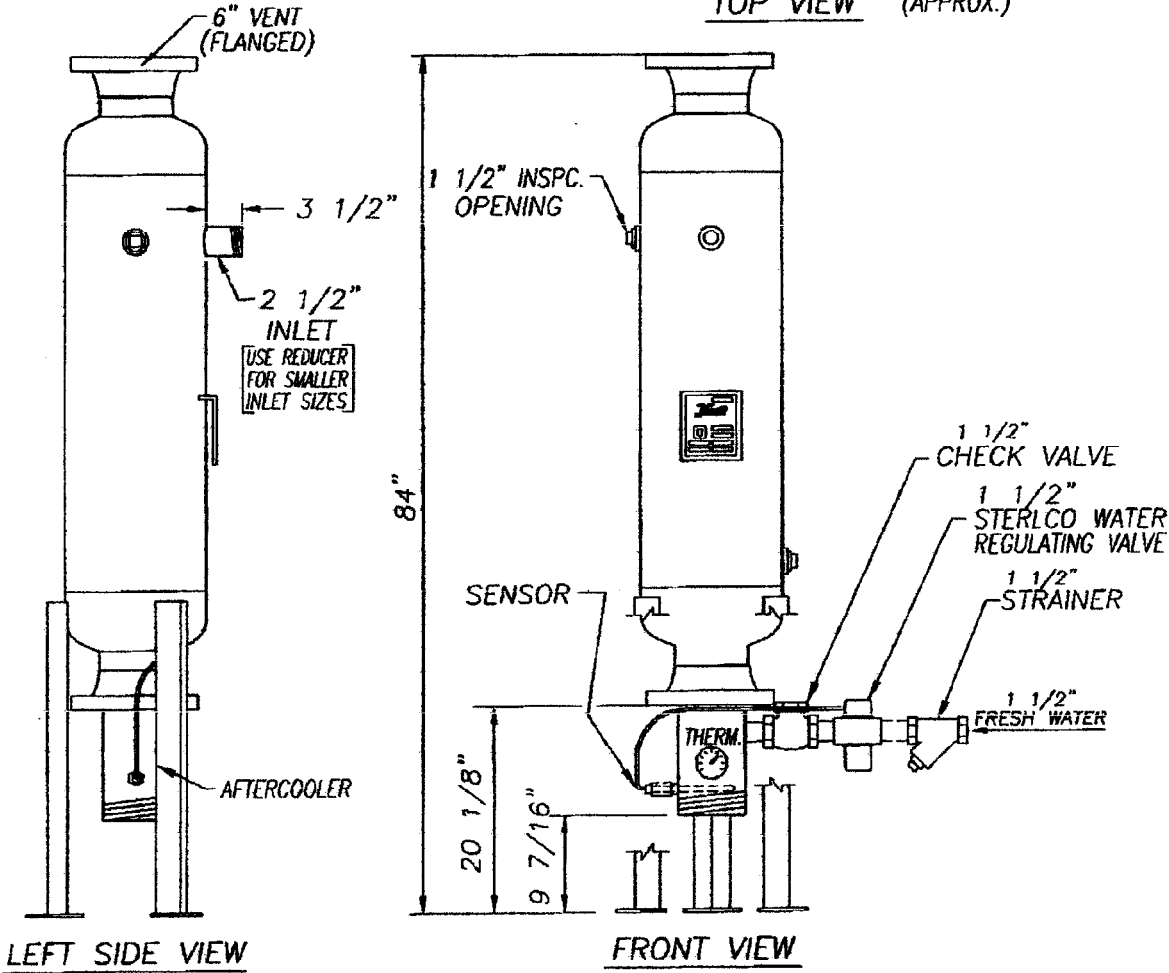
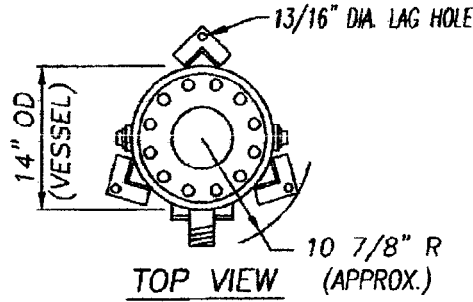


# Hurst

BOILER CO., INC.



## 14" X 56" BLOWDOWN SEPARATOR AND AFTERCooler WITH TEMP. REGULATOR

By:

Hurst Boiler & Welding Co., Inc.

Drawer 529 Hwy. 319 south Coolidge, Georgia 31738

Office (229)346-3545 Telex-804616 Fax (229)346-3874

Constructed and stamped in accordance with the latest ASME Code, Sec. VIII, Div. 1 FOR 250 M.A.W.P. @450° F. Min. Design Metal Temp. is -20° F.

2/23/05  
BDS14X56A