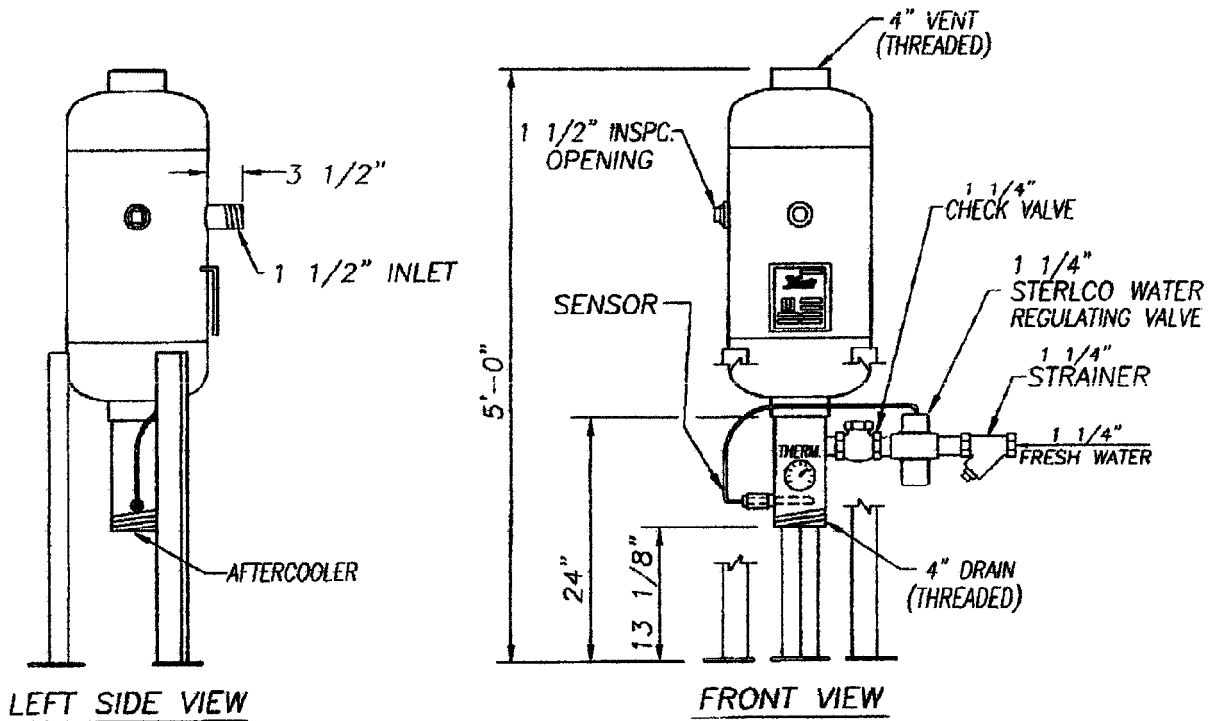
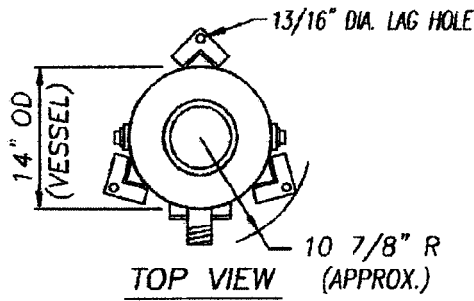


Hurst BOILER CO., INC.



14" X 34" BLOWDOWN SEPARATOR & AFTERCOOLER

By:

Hurst Boiler & Welding Co., Inc.

Drawer 529 Hwy. 319 south Coolidge, Georgia 31798

Office (229)346-3545 Telex-804616 Fax (229)346-9874

Constructed and stamped in accordance with the latest
ASME Code, Sec. VIII, Div. 1 FOR 250 M.A.W.P. @450° F.
Min. Design Metal Temp. is -20° F.

6/23/04
BDS14X34